

**Swann Technical Support**

All Countries E-mail: [tech@swann.com.au](mailto:tech@swann.com.au)

**Telephone Helpdesk**

UNITED STATES toll free

877-274-3695

(Sun-Thurs, 2pm-10.30pm PST)

800-627-2799

(Mon0Fri, 9am-1pm PST)

USA Exchange & Repairs

562-777-2551

(Mon-Fri, 9am-5pm PST)

AUSTRALIA toll free

1300 13 8324

(Mon-Fri, 9am-5.30pm Aus EST)

International

+61 3 8412 4610

(Mon-Fri, 9am-5.30pm Aus EST)

See <http://www.worldtimeserver.com> for information on different time zones and the time in Melbourne Australia compare to your local time.

**Warranty Information**

Swann Communications warrants this product against defects in workmanship and material for a period of one (1) year from it's original purchase date. You must present your receipt as proof of date of purchase for warranty validation. Any unit which proves defective during the stated period will be repaired without charge for parts or labour or replaced at the sole discretion of Swann. The repair or replacement will be warranted for either ninety days or the remainder of the original one year warranty period, whichever is longer. The end user is responsible for all freight charges incurred to send the product to Swann's repair centres. The end user is responsible for all shipping costs incurred when shipping from and to any country other than the country of origin. The warranty does not cover any incidental, accidental or consequential damages arising from the use of or the inability to use this product. Any costs associated with the fitting or removal of this product by a tradesman or other person or any other costs associated with its use are the responsibility of the end user. This warranty applies to the original purchaser of the product only and is not transferrable to any third party.

Unauthorised end user or third party modifications to any component or evidence of misuse or abuse of the device will render all warranties void.

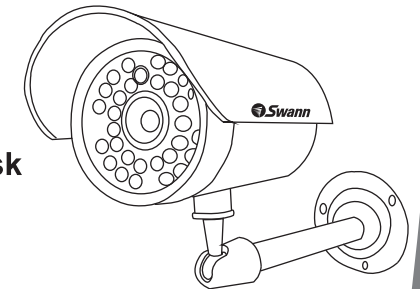


# Maxi-Brite Cam Security Camera

Keeping an eye on your home and business



**Swann Help Desk**  
Has the answers



**If this device does not work when you first plug it in, do not take it back to the store.**

- ✓ Contact the Swann Helpdesk using our fast e-mail service [tech@swann.com.au](mailto:tech@swann.com.au) or call us on one of the Toll-Free numbers shown on the back cover of this booklet.
- ✓ Most problems can be quickly and easily fixed with a simple e-mail or a quick chat with one of our friendly technical staff. (Toll-Free available in the US and Australia only)

## Installation Guide

## Contents

Introduction	2
Your package comes with	2
Connect the Maxi-Bright Camera to your monitoring device	3
Connect the Maxi-Bright Camera to your monitoring device (continued)	4
Important Information about this product	5
Tips for using your Swann Security Camera	5
Tips for locating your camera	6
Technical Specifications	7
Help Desk / Support Details	Back Cover
Warranty Information	Back Cover

## Introduction

The Maxi-Brite Camera is a day and night security camera that includes Infra-Red LEDs and a high quality lens that give you the capability of viewing the images produced under most lighting conditions, even at night. It can be used to provide your home or office with a clear picture that can be easily displayed on a DVR, TV, VCR or Security Monitor.

The Maxi-Brite camera is designed for best performance when used with Swann DVRs and Security Monitors, but will just as easily work with your existing CCTV Equipment, TV, VCR or a Computer with a video capture card. The Maxi-Brite camera can be used for a variety of purposes including monitoring callers at the door or keeping your car, yard, shop or children's play area under observation.

## Your package comes with...

- Maxi-Brite camera
- BNC female to RCA male Adaptor
- Extension signal cable
- Camera Bracket
- Power Adaptor
- Security Stickers
- This Instruction Sheet

*If any of these items are missing, please contact your retailer.*

### FCC NOTICE

This device complies with Part 15 of FCC Rules. Operation is subject to the following conditions:  
(1) This device may not cause harmful interference, and  
(2) this device must accept any interference received, including interference that may cause undesired operation mistakes.

### WARNING: IMPORTANT NOTICE ABOUT CORRECT USE OF POWER ADAPTER

The correct orientation for the enclosed power adapter is in a vertical or floor mount position.



L'orientation correcte pour l'adaptateur secteur fourni est dans une position verticale ou plancher-monte.

La orientacion correcta para el adaptador electrico incluido es en posicion vertical o instalado en el suelo.

## Technical Specifications

Image Sensor:	1/3" Ominivision CMOS
Picture Element:	PAL - 628 (H) x 582 (V) NTSC - 510 (H) x 492 (V)
Video System*:	NTSC - USA & CANADA PAL - AU, UK & EU
Horizontal Resolution:	380 TV Lines
S/N Ratio:	> 48db
Minimum Illumination:	0 Lux (IR LEDs on) @ F1.2
Video Output:	1.0v (P-P) @ 75ohm
Power Supply:	12V DC
Operating Current:	150mA - 500mA (IR On)
Video Cable Connector:	BNC female
Infra-Red LED Wavelength:	850nm
Maximum IR Illumination Range:	30 ft (9 m)
IR Activation:	Automatic from PE Cel Auto On at Night Auto Off during Day
Housing Material:	ABS Plastic
Dimensions:	5.5" x 3.5" x 3.5" 140mm x 90mm x 140mm
Operating Environment:	14°F ~ 122°F (10°C ~ 50°C)
Weight:	0.6 lbs (290g)

\*Please note that this camera ships in the appropriate TV/Video system for the country of sale. In countries using the NTSC TV standard for the camera will be built to the NTSC standard, and in countries using PAL TV standard, the camera will be built to the PAL standard. The camera cannot switched from one standard to the other.

## Tips for locating your camera

You should position your cameras to cover the areas most exposed to risk. See our suggestions below for some ideas:



1. Doorways



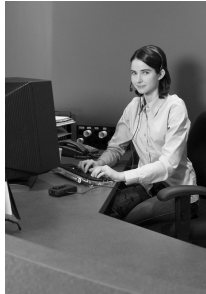
2. Windows



3. Car Parks



4. Verandahs



5. Reception areas



6. Cash register



7. Mix dummies & real cameras

### Where to Place The Security Stickers:

1. On your front window
2. On side windows
3. Near entrance points - doors, gates
4. Next to a dummy camera mounted outside
5. On the front counter
6. On the cash register
7. Next to an obvious camera



## Connect the camera to your monitoring device

These step by step instructions are provided for you to enable a quick and simple installation of your camera. Please refer to the diagram over the page for component identification details.


**Step 1:** At the end of your Maxi-Brite Camera cable you will find two plugs:

- Video BNC Female Connector (1a)
- DC Power Socket (1b)

**Step 2:** Plug the **BNC Female** (1a) into the **BNC Male Connector** (3a) on the extension cable and turn the outer ring to lock the connectors. Plug the **BNC to RCA Adaptor** (4) into the other BNC Male Connector (3b) at the other end of the extension cable and then into the RCA Video In socket on your TV or VCR (usually located at the back). This is the best method of connecting the camera initially to test it for correct operation.

**Step 3:** Connect the **DC Power Plug** (2a) at the end of the **power adaptor** (2) into the **DC Power Jack** (3c) on the extension cable, and plug **DC power plug** (3d) into your Maxi-Brite Camera's DC Socket (1b).

**Step 4:** Plug the **power adaptor** (2) into the mains power point on your wall and switch on.

**Step 5:** If you have an **A/V TV** with RCA sockets you will need to switch the **TV** to the **AV** channel to view the camera. To view the camera connected to your **VCR**, you will need to select the AV input you have connected the camera to on the **VCR**, turn your **TV** onto the channel you would normally use to view a tape or movie on your **VCR**. This channel may be activated by a button on your remote that is marked with this symbol , or L1 or L2 or possibly AV1 or AV2. Please read the **instructions** for your **VCR** or **TV** for more information on using their **A/V inputs**.

**Note:** The Maxi-Brite Camera will automatically change to a black & white image using the Infra-Red LEDs when available light is too low to support a clear color picture.

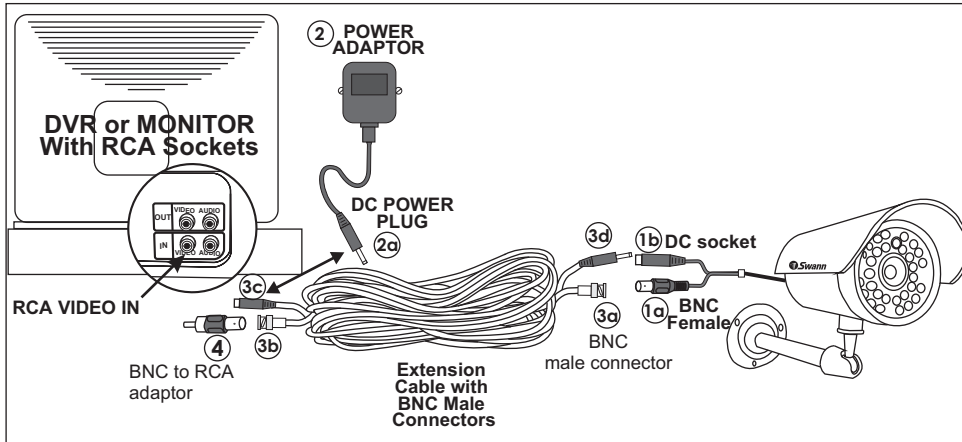
### NOTE:

All jurisdictions have specific laws and regulations relating to the use of cameras. Before using any camera for any purpose, it is the buyer's responsibility to be aware of all applicable laws and regulations that prohibit or limit the use of cameras and to comply with the applicable laws and regulations. The legality of watching people other than yourself changes from country to country and even state to state. Contact your local government's privacy information body or your local Police for more information on what if any restrictions you may face.

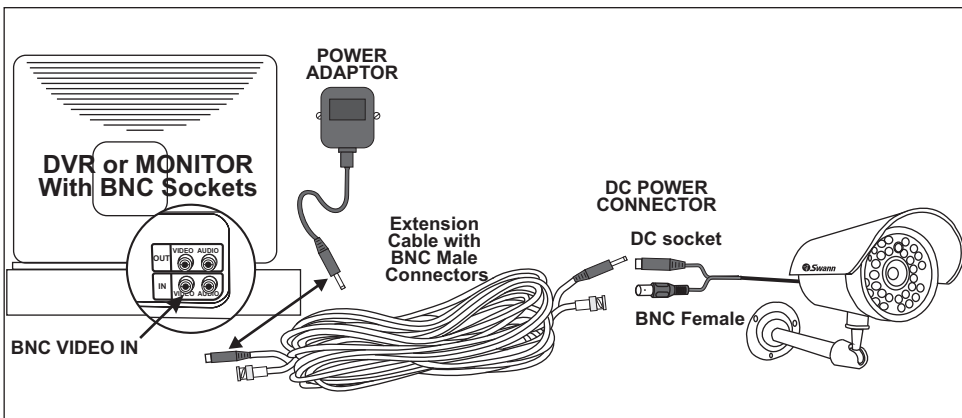
## Connect the camera to your monitoring device (continued)

Your Maxi-Brite Camera is designed to transmit high quality color images to your Security Monitoring Device, Television or VCR and is operated by mains power. To help guide you through the process of setting up the Maxi-Brite Camera, we have outlined the steps and numbered each of the components required in the diagram below.

### Connection to VCR, TV or MONITOR with RCA Sockets



### Connection to DVR or MONITOR with BNC Sockets



## Important Information about this product

- Best Results are achieved when the camera is looking down on the subject area.
- The hood can be used to stop sunlight entering the lens and causing the picture to wash out during bright daylight.
- Please test all devices before final installation as it is far easier to rectify problems at this stage.
- To avoid the risk of damage to your product, use only the supplied power adaptors.
- Areas with a bright background may cause degradation of the image. If possible position your camera so that it doesn't point towards a very bright light source.
- Do not cut the DC power cable of the Camera to fit with another power source. This may result in damage to the Camera & any unauthorised modifications will void your warranty.

## Tips for using your Swann Security camera

- Deterrence is the best and most cost effective security method for:
  - preventing criminal activity before it occurs is preferable to, and cheaper than, cleaning up after it occurs
  - the Swann Maxi-Brite Camera is an example of cost effective security utilising the 'art of deterrence' to outsmart thieves and criminals
- Always place cameras high enough that they can't be closely inspected or easily accessed
- Position cameras and dummies where they can be easily seen for maximum deterrence
- Position a monitor where it can be seen but not touched
- If you have more than one camera use a monitor with channel switching function, a Quad Processor or DVR with multiple views to show potential offenders the level of coverage you have protecting your site.
- Add extra Swann dummy cameras to give the impression of heightened security
- Purchase a Swann DVR to monitor and record activity on your cameras. Depending on the settings used, DVRs can record for months.